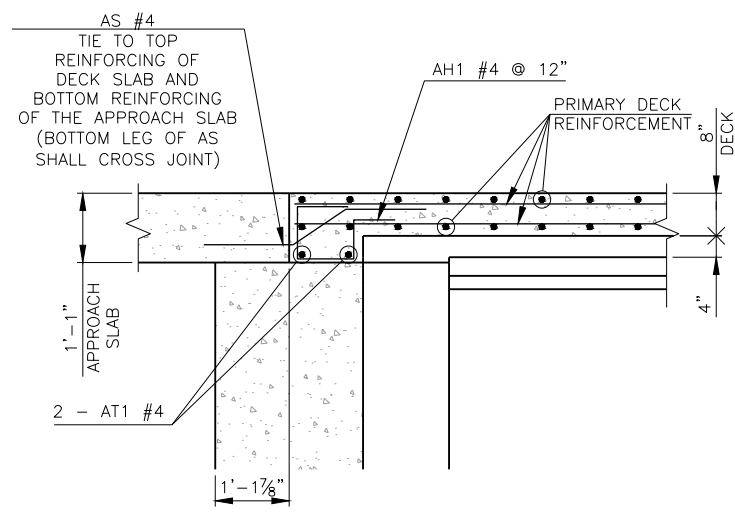
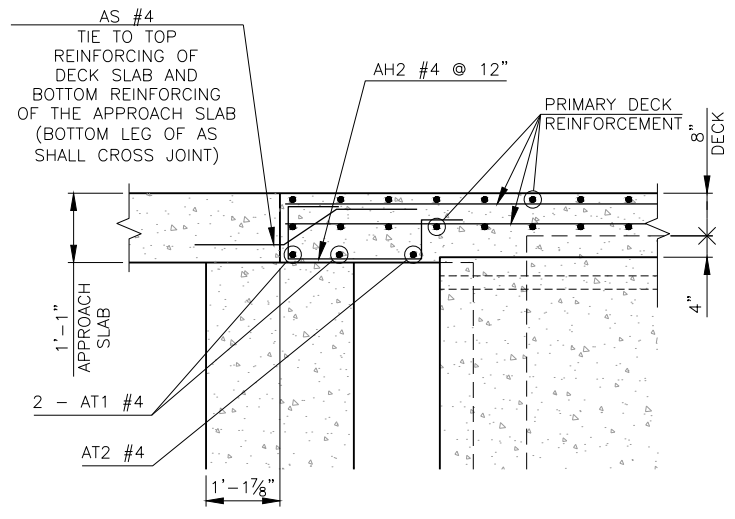


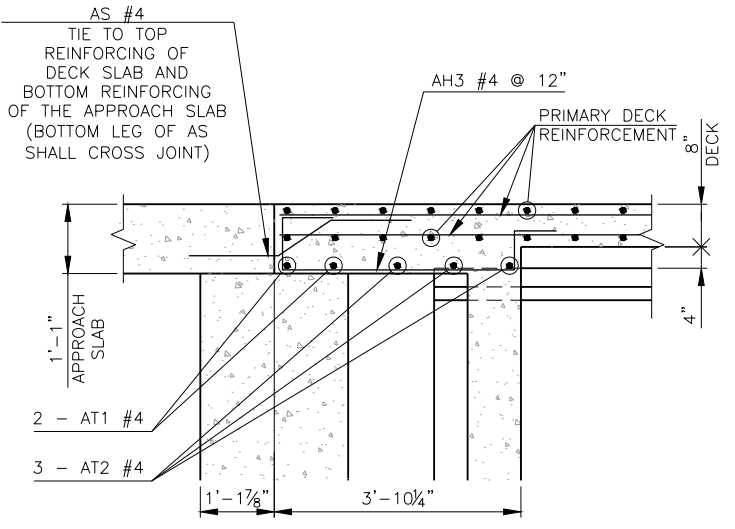
DESCRIPTION	REVISIONS	DATE



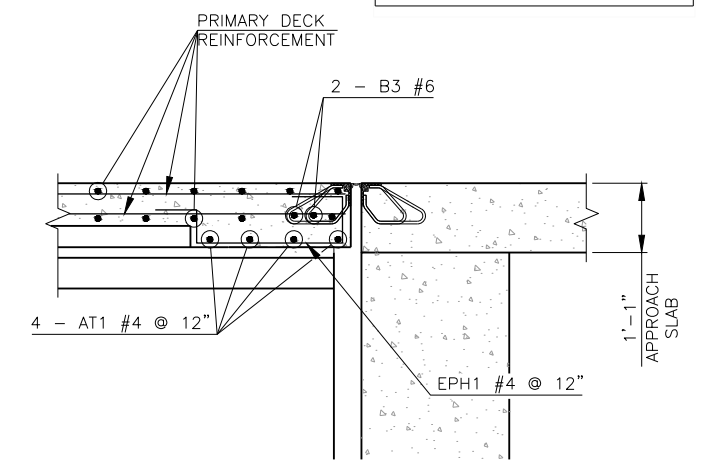
SECTION A



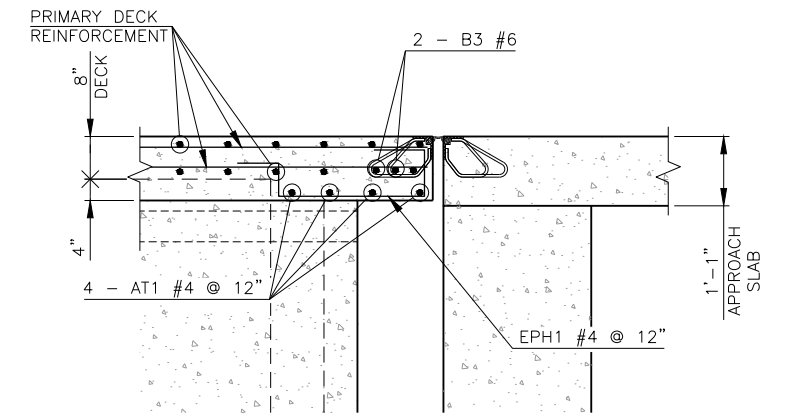
SECTION B



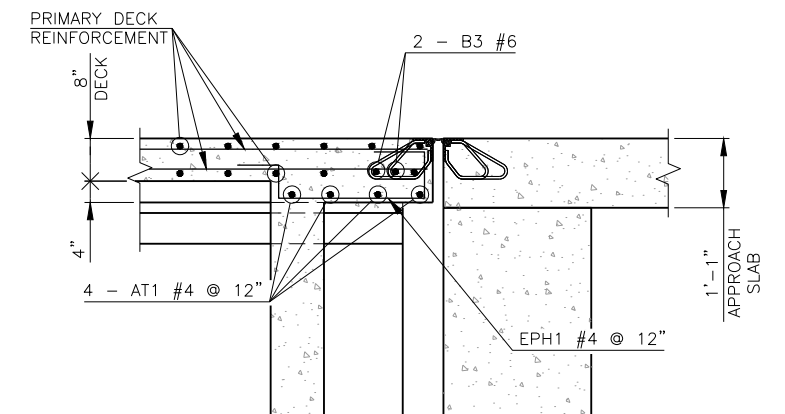
SECTION C



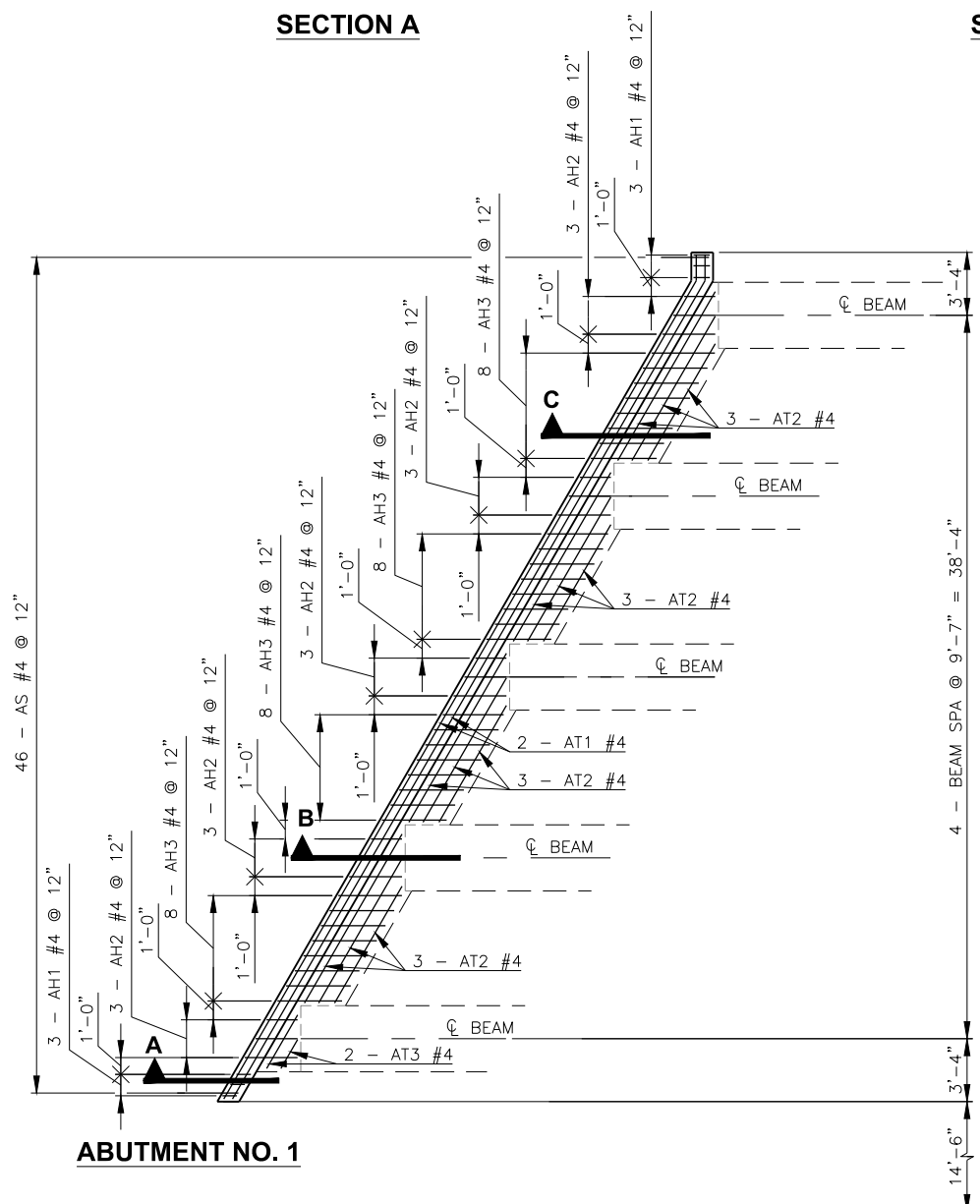
SECTION D



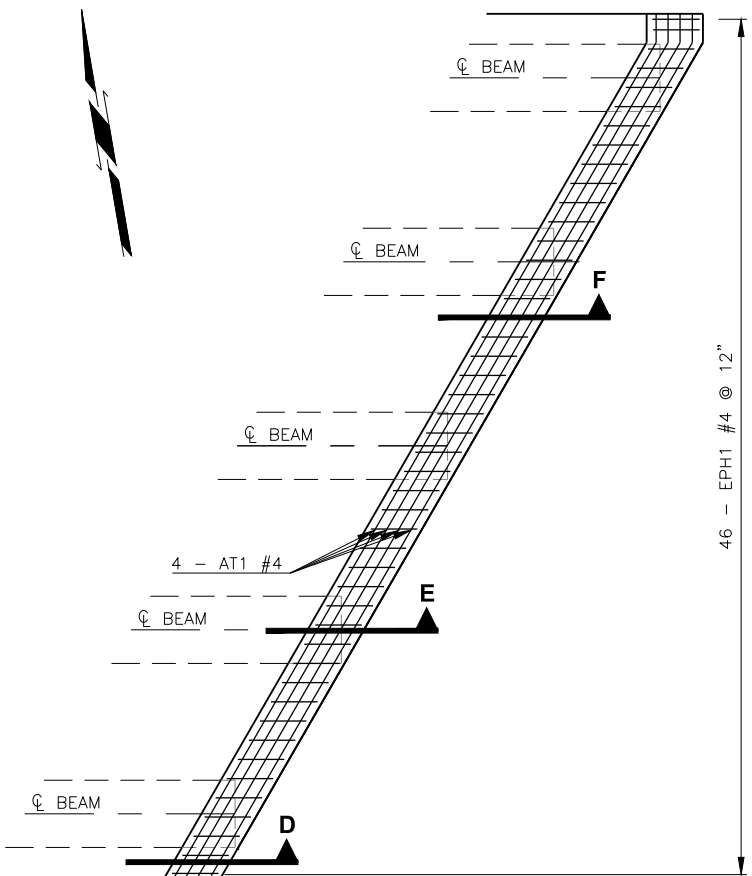
SECTION E



SECTION F



ABUTMENT NO. 1



ABUTMENT NO. 2

NOTE:
DECK SLAB REINFORCING
NOT SHOWN FOR CLARITY.

C.R.L. & P.G.L. OKLAHOMA CITY BOULEVARD
S 80°17'4.66" E

DESIGN	T.A.C.	OKLAHOMA CITY BLVD. OVER	OKLAHOMA COUNTY
DRAWN	R.A.P.	CLASSEN BLVD.	BRIDGE B
CHECKED	T.A.C.	ADDITIONAL SLAB REINFORCING	
APPROV.	T.A.C.		
SQUAD	CEC	JOB PIECE NO. 17428(88)	SHEET NO. 119